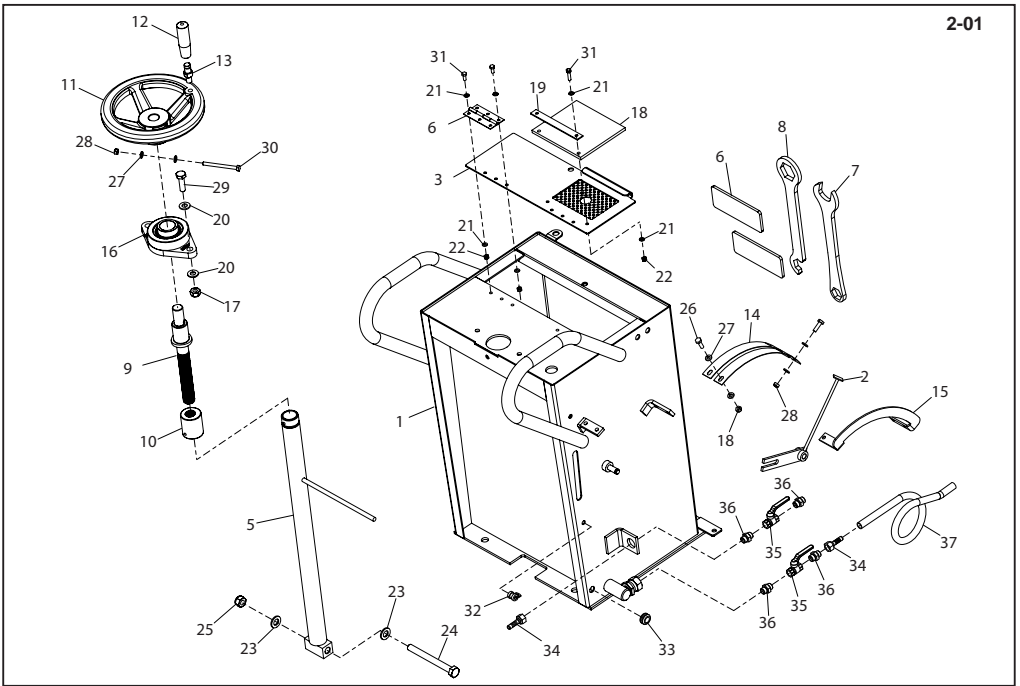


Chassis Assembly, Ensemble Châssis, Conjunto de Chasis, Conjunto do Chassis

1	966/00800	Frame.....	Châssis	Estructura	Estrutura	1
2	966/01300	Blade Guard.....	Capot de Protection de Lame...	Protector de Cuchilla	Guarda de Lâmina	1
3	966/00100	Bedplate	Plaque d'Assise	Placa de Base	Placa de Apoio	1
4	966/01700	Pointer Guide	Guide à Pointeur	Guía Indicadora	Guía Apontadora	1
5	966/01800	Arbour Shaft	Arbre	Eje portaherramienta	Veio do Eixo	1
6	966/99905	Clamp Plate	Plaque de Serrage	Placa de Fijación	Placa de Fixação	1
7	966/00900	Belt Guard	Capot de Courroie	Protector de la Correa	Guarda da Cinta	Honda
7A	966/01500	Belt Guard	Capot de Courroie	Protector de la Correa	Guarda da Cinta	Lombardini
8	71 0.088	Stud	Goujon	Espárragos	Cavilha	1
9	966/99904	Nut	Ecrou	Tuerca	Porca	1
10	966/99916	Pulley	Poulie	Polea	Polia	1
11	966/99918	Guard	Capot	Protector	Guarda	1
12	966/99928	Pointer	Pointeur	Indicadora	Apontadora	1
13	966/99930	Wheel	Roue	Rueda	Roda	1
14	966/99935	Washer	Rondelle	Arandela	Anilha	1
15	966/99948	Key	Clavette	Chaveta	Chave	7 x 7 x 40
16	8/10006	Nut	Ecrou	Tuerca	Porca	M10
17	4/1005	Washer	Rondelle	Arandela	Anilha	M10
18	4/1003	Washer	Rondelle	Arandela	Anilha	M10
19	9/12003	Bolt	Boulon	Perno	Perno	M12 x 25
20	4/1202	Washer	Rondelle	Arandela	Anilha	M12
21	4/1204	Washer	Rondelle	Arandela	Anilha	M12
22	4/8006	Washer	Rondelle	Arandela	Anilha	M8
23	4/8003	Washer	Rondelle	Arandela	Anilha	M12
24	9/8012	Bolt	Boulon	Perno	Perno	M8 x 20
25	7/10005	Screw	Vis	Tornillo	Parafuso	M10 x 25
26	7/10010	Screw	Vis	Tornillo	Parafuso	M10 x 30
27	8/12006	Nut	Ecrou	Tuerca	Porca	M12
28	9/12010	Bolt	Boulon	Perno	Perno	M12 x 60
29	966/99949	Guard	Capot	Protector	Guarda	1
30	966/99950	Clamp Plate	Plaque de Serrage	Placa de Fijación	Placa de Fixação	1
31	7/12028	Bolt	Boulon	Perno	Perno	M8 x 55
32	8/12002	Nut	Ecrou	Tuerca	Porca	M12

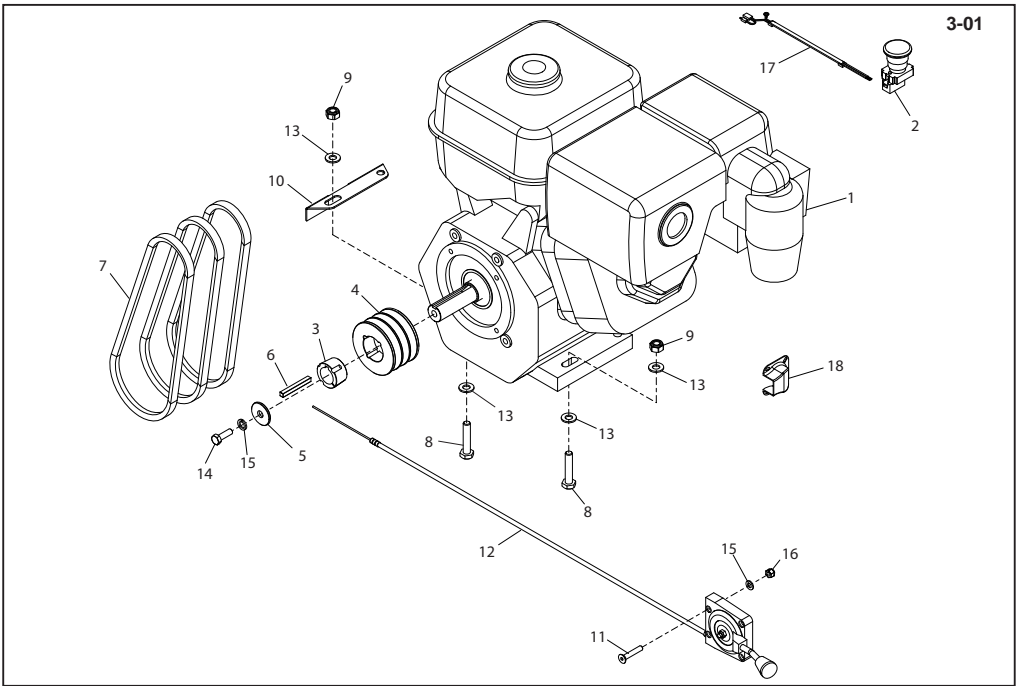
AlradPart.com
 888-634-4229
 An iBuy Stores Company



Tank Assembly, Ensemble Réservoir, Conjunto Tanque, Conjunto do Depósito

1	966/00300	Tank	Réservoir	Tanque	Depósito	1
2	966/00700	Pointer Guide	Guide à Pointeur	Guia Indicadora	Guia Apontadora	1
3	966/01600	Cover	Couvercle	Tapa	Tampa	1
4	966/99924	Hinge	Charnière	Bisagra	Dobradiça	2
5	966/01400	Pipe	Canalisation	Tubo	Tubo	1
6	966/99925	Anti-Vibration Pad	Tampon antivibratoire	Chapa Antivibratoria	Bloco Anti-Vibração	1
7	966/99926	Spanner	Cle Anglaise	Llave	Chave Inglesa	32mm 1
8	966/99927	Spanner	Cle Anglaise	Llave	Chave Inglesa	35mm 1
9	966/99913	Threaded Tube	Tube Fileté	Tubo Roscado	Tubo Roscado	→ 31st December 08 1
9	966/99954	Threaded Tube	Tube Fileté	Tubo Roscado	Tubo Roscado	→ 1st January 09 1
10	966/99914	Threaded Collar	Collier Fileté	Casquillo Roscado	Braçadeira Roscado	→ 31st December 08 1
10	966/99953	Threaded Collar	Collier Fileté	Casquillo Roscado	Braçadeira Roscado	→ 1st January 09 1
11	966/99921	Wheel	Roue	Rueda	Roda	1
12	966/99922	Hand Grip	Poignée	Asas	Mãozotas	1
13	966/99923	Nipple	Tetón	Bocal	Níppel	1
14	966/99929	Depth Gauge	Calibre de Profondeur	Indicador de Profundidad	Calibrador de Profundidade	1
15	966/99920	Guard	Capot	Protector	Guarda	1
16	12.0.338	Bearing	Roulement	Cojinete	Rolamento	1
17	8/10006	Nut	Ecrou	Tuerca	Porca	M10 2
18	966/99944	Cover	Couvercle	Tapa	Tampa	1
19	966/99945	Plate	Plaque	Placa	Placa	1
20	4/1005	Washer	Rondelle	Arandela	Anilha	M10 4
21	4/5002	Washer	Rondelle	Arandela	Anilha	M5 28
22	8/5003	Nut	Ecrou	Tuerca	Porca	M5 14
23	4/1204	Washer	Rondelle	Arandela	Anilha	M12 2
24	9/12007	Bolt	Boulon	Perno	Perno	M12 x 80 1
25	8/12006	Nut	Ecrou	Tuerca	Porca	M12 1
26	9/6008	Bolt	Boulon	Perno	Perno	M6 x 20 4
27	4/6001	Washer	Rondelle	Arandela	Anilha	M6 6
28	8/6007	Nut	Ecrou	Tuerca	Porca	M12 5
29	7/10003	Screw	Vis	Tornillo	Parafuso	M10 x 35 2
30	9/6024	Bolt	Boulon	Perno	Perno	M6 x 70 1
31	7/5003	Bolt	Boulon	Perno	Perno	M5 x 20 14
32	900/10200	P-Clip	Collier en P	Abrazaderas	Ganchos	3
33	3/3009	Grommet	Passer-File	Ojal	Anel Isolante	1
34	6/2005	Adaptor	Adaptateur	Adaptador	Adaptador	1/2" x 1/2" 2
35	966/99946	Tap	Robinet	Tapón	Torneira	1/2" x 1/2" 2
36	6/0020	Adaptor	Adaptateur	Adaptador	Adaptador	1/2" x 3/8" 4
37	966/99951	Hose	Tuyau	Manguera	Tubagem	1

AlfadPart.com
886-634-439
Al Buy Stores Company



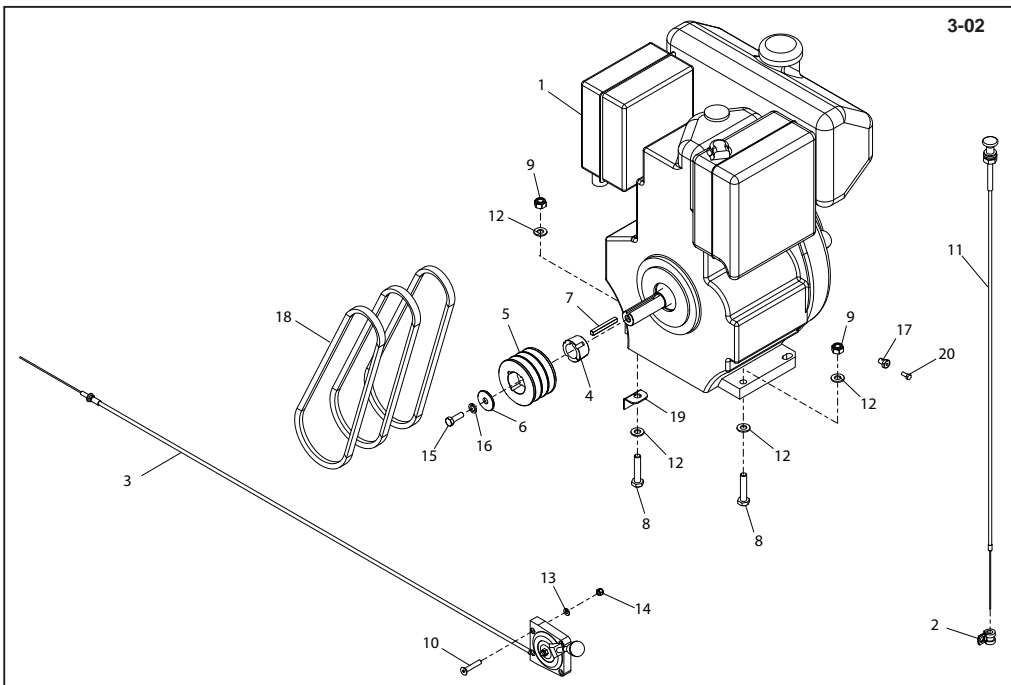
3-01

**Engine Assembly (Honda & Robin), Ensemble Moteur (Honda & Robin),
Conjunto de Motor (Honda & Robin), Conjunto da Motor (Honda & Robin)**

3-01

1	20/0107	Engine	Moteur	Motor	Motor	Honda GX390	1
1	29.1.247	Engine	Moteur	Motor	Motor	Robin EH41	1
2	70/0246	Emergency Stop Button	Bouton d'arrêt d'urgence	Parada de emergencia	Interruptor de Paragem	de Emergência	1
3	966/99938	Taperlock Bush	Douille conique	Casquillo con cierre cónico	Bucha de Aperto Cônico		1
4	966/99917	Pulley	Poulie	Polea	Polia		1
5	4/1009	Washer	Rondelle	Arandela	Anilha		1
6	06.8.018	Key	Clavette	Chaveta	Chav	6.35 x 6.35 x 55	1
7	21/0275	Belt	Courroie	Correa	Cinta		3
8	9/10007	Bolt	Boulon	Perno	Perno	M10 x 50	4
9	8/10006	Nut	Ecrou	Tuerca	Porca	M10	4
10	135/01200	Bracket	Patte de Montage	Escuadra	Suporte		1
11	7/5170	Screw	Vis	Tornillo	Parafuse	M5 x 25	4
12	966/99940	Throttle Cable Assy	Câble d'Accélérateur	Cable de Aceleración	Cabo do Estrangulador		1
13	4/1005	Washer	Rondelle	Arandela	Anilha	M10	8
14	7/3813	Screw	Vis	Tornillo	Parafuse	3/8" x 1"	1
15	4/1003	Washer	Rondelle	Arandela	Anilha	M10	2
16	8/5003	Nut	Ecrou	Tuerca	Porca	M5	2
17	966/99942	Harness	Faisceau	Partida	Arnés		1
18	21/0236	Guard	Capot de Protection	Protector	Guarda		1

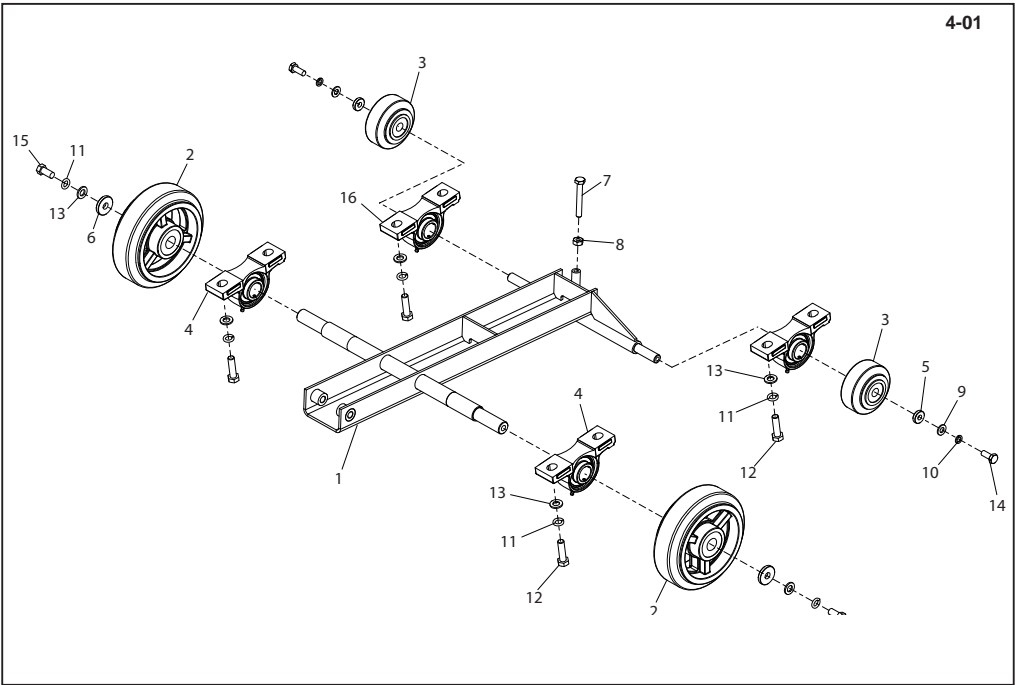
AltradParts.com
888-634-4289
An iBuy Stores Company



**Engine Assembly (Lombardini), Ensemble Moteur (Lombardini),
Conjunto de Motor (Lombardini), Conjunto da Motor (Lombardini)**

1	20/0098	Engine	Moteur	Motor	Motor	Lombardini LD 440	1
2	900/10200	P-Clip	Collier en 'P'	Abrazaderas 'P'	Ganchos 'P'		1
3	966/99931	Throttle Cable Assy	Câble d'Accélérateur	Cable de Aceleración	Cabo do Estrangulador		1
4	966/99938	Taperlock Bush	Douille conique	Casquillo con cierre cónico	Bucha de Aperto Cónico		1
5	966/99917	Pulley	Poulie	Polea	Polia		1
6	4/1009	Washer	Rondelle	Arandela	Anilha		1
7	06.8.018	Key	Clavette	Chaveta	Chav	6.35 x 6.35 x 55	1
8	9/10007	Bolt	Boulon	Perno	Perno	M10 x 50	4
9	8/10006	Nut	Ecrou	Tuerca	Porca	M10	4
10	7/5170	Screw	Vis	Tornillo	Parafuse	M5 x 25	2
11	966/99941	Emergency Stop Button	Bouton d'arrêt d'urgence	Parada de emergencia	Interruptor de Paragem	de Emergência	1
12	4/1005	Washer	Rondelle	Arandela	Anilha	M10	8
13	4/5002	Washer	Rondelle	Arandela	Anilha	M5	2
14	8/5003	Nut	Ecrou	Tuerca	Porca	M5	2
15	7/3813	Screw	Vis	Tornillo	Parafuse	3/8" x 1"	1
16	4/1003	Washer	Rondelle	Arandela	Anilha	M10	1
17	966/99943	Boss	Bossage	Resalte	Cubo		1
18	21/0281	Belt	Courroie	Correa	Cinta		3
19	966/99952	Bracket	Patte de Montage	Escuadra	Suporte		2
20	7/5002	Screw	Vis	Tornillo	Parafuse	M5 x 12	1

AltradParts.com
888-634-4289
An iBuy Stores Company



Axle Assembly, Ensemble Essieu, Eje de Montaje, Montagem do Eixo

1	966/01100	Bracket	Patte de Montage	Escuadra	Suporte	1
2	966/99911	Wheel	Roue	Rueda	Roda	2
3	966/99912	Wheel	Roue	Rueda	Roda	2
4	966/99908	Bearing	Roulement	Cojinete	Rolamento	2
5	966/99909	Spacer	Entretoise	Espaciador	Espaçador	4" 2
6	966/99934	Spacer	Entretoise	Espaciador	Espaçador	8" 2
7	7/10042	Screw	Vis	Tornillo	Parafuse	M10 x 110 1
8	8/10003	Nut	Ecrou	Tuerca	Porca	M10 1
9	4/1005	Washer	Rondelle	Arandela	Anilha	M10 2
10	4/1003	Washer	Rondelle	Arandela	Anilha	M10 2
11	4/1202	Washer	Rondelle	Arandela	Anilha	M12 10
12	9/12021	Bolt	Boulon	Perno	Perno	M12 x 45 8
13	4/1204	Washer	Rondelle	Arandela	Anilha	M12 10
14	7/10005	Screw	Vis	Tornillo	Parafuse	M10 x 25 2
15	7/12004	Screw	Vis	Tornillo	Parafuse	M12 x 25 2
16	966/99907	Bearing	Roulement	Cojinete	Rolamento	2

AltradParts.com
 888-634-4289
 An iBuy Stores Company