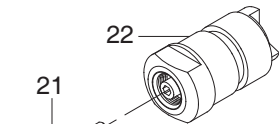
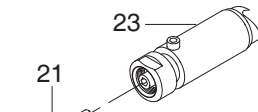


DRIVE COUPLING IDENTIFICATION

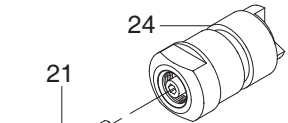
(A)



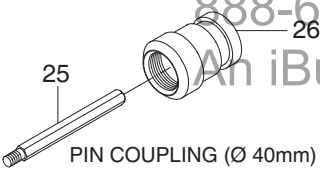
2 DOG DRIVE (Ø 60mm)  
DYNAPAC / WACKER



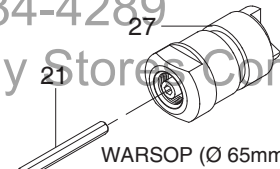
FYNE (Ø 1.7/8")



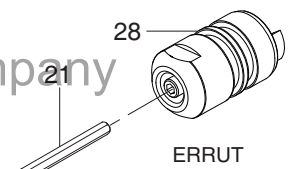
AUSTRALIAN  
(Ø 59.8mm)



PIN COUPLING (Ø 40mm)  
ASIA & GREECE ONLY



WARSOP (Ø 65mm)



ERRUT  
(Ø 59.8mm)

# BGA 25 - 68

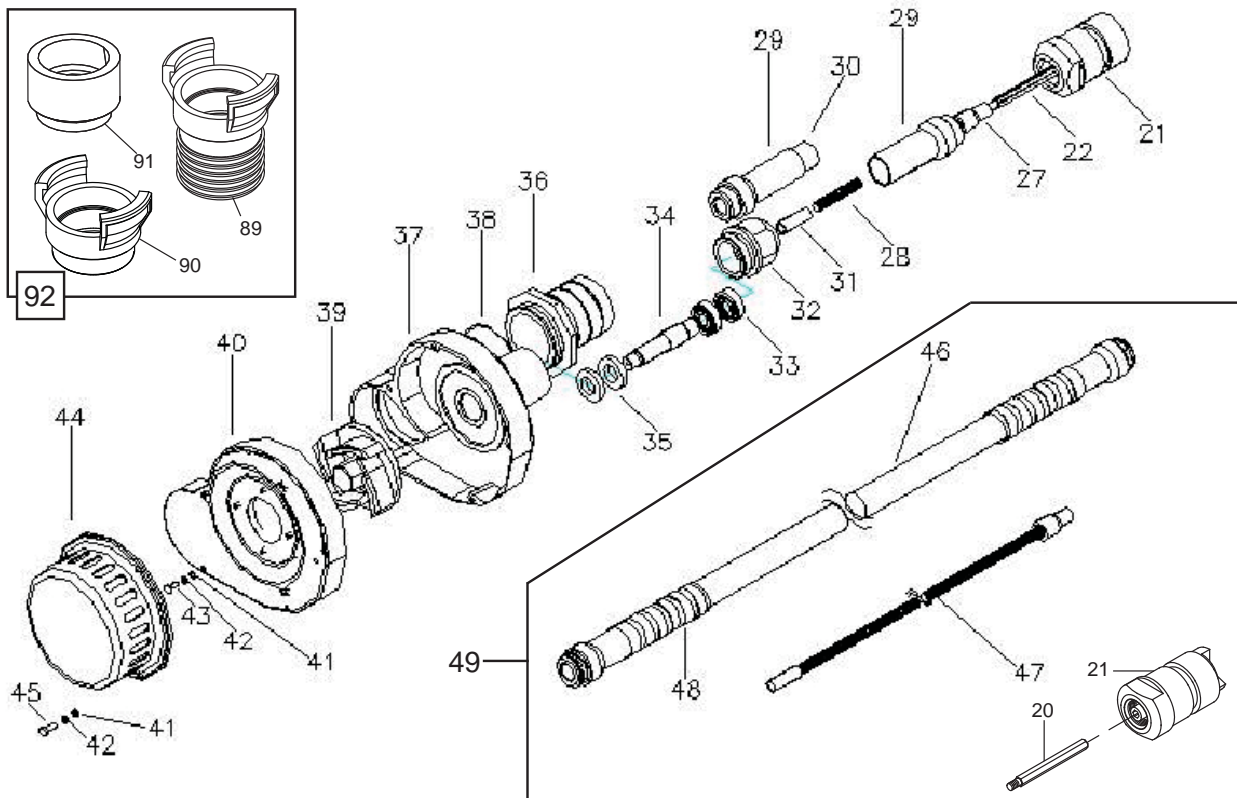
ITEM	BGA 25	BGA 35	QTY	BGA 45	BGA 55	BGA 65	QTY	BGA 68	QTY	DESCRIPTION
1	165.0.122	165.0.012	1	165.0.027	165.0.043	165.0.061	1	165.0.143	1	NOSE CAP
2	165.0.123	165.0.013	2	165.0.028	165.0.044	165.0.144	1	165.0.144	2	'O' RING
3	165.0.124	165.0.010	1	165.0.025	165.0.041	165.0.062	1	165.0.141	1	HOUSING
4	165.0.125	165.0.176	1	165.0.026	165.0.042	165.0.063	1	165.0.142	1	PENDULUM
5	165.0.126	165.0.017	2	165.0.033	165.0.049	165.0.066	1	N/A	-	CIRCLIP
6	165.0.127	165.0.014	1	165.0.029	165.0.045	165.0.145	1	165.0.145	1	OIL SEAL
7	165.0.128	165.0.015	1	165.0.030	165.0.046	165.0.146	1	165.0.146	1	BEARING
8	165.0.129	165.0.016	1	165.0.031	165.0.047	165.0.064	1	N/A	-	SPRING WASHER
9	N/A	N/A	-	165.0.032	165.0.048	165.0.065	1	N/A	-	WASHER
10	165.0.130	165.3.007	1	165.3.008	165.3.009	165.3.010	1	165.0.150	1	OUTER CASING COMP. (INC. ITEMS 11, 12 & 13)
11	165.0.131	165.0.019	1	165.0.035	165.0.140	165.0.113	1	165.0.034	1	END SHANK
12	165.0.132	165.0.018	1	165.0.034	165.0.034	165.0.034	1	165.0.034	1	END SHANK
13	165.0.133	165.0.022	1	165.0.038	165.0.038	165.0.038	1	165.0.038	1	CASING
14	165.0.134	165.0.051	1	165.0.051	165.0.051	165.0.051	1	165.0.051	1	SPIROL PROTECTOR
15	165.0.135	165.3.017	1	165.3.018	165.3.018	165.3.110	1	165.0.151	2	FLEXIBLE SHAFT COMP. (INC ITEMS 16, 17 & 18)
16	165.0.136	165.0.020	1	165.0.036	165.0.036	165.0.050	1	165.0.152	1	END SHANK
17	165.0.137	165.0.021	1	165.0.037	165.0.037	165.0.037	1	165.0.037	1	END SHANK
18	165.0.138	165.0.023	1	165.0.039	165.0.039	165.0.039	1	165.0.039	1	FLEXIBLE SHAFT
19	165.0.024	165.0.024	1	165.0.024	165.0.024	165.0.024	1	165.0.024	1	'O' RING
20	N/A	165.3.030	1	165.3.031	165.3.032	165.9.205	1	N/A	-	POKER HEAD ASSY

ITEM	PART NUMBER	DESCRIPTION
21	165.0.053	DRIVER PIN (COMPATIBLE WITH ITEMS: 22, 23, 24, 27, 28)
22	165.3.000	COUPLING Ø 60mm - 2 DOG DRIVE (DYNAPAC/WACKER)
23	165.3.001	COUPLING Ø 1 7/8" (FYNE)
24	165.3.005	COUPLING Ø 59.8mm (AUSTRALIAN)
25	165.0.052	DRIVER PIN (COMPATIBLE WITH ITEM: 26)
26	165.3.003	COUPLING Ø 40mm - PIN TYPE (ASIA & GREECE ONLY)
27	165.3.004	COUPLING Ø 65mm (WARSOP)
28	44.2.117	COUPLING Ø 60mm (ERRUT)

888-634-4289

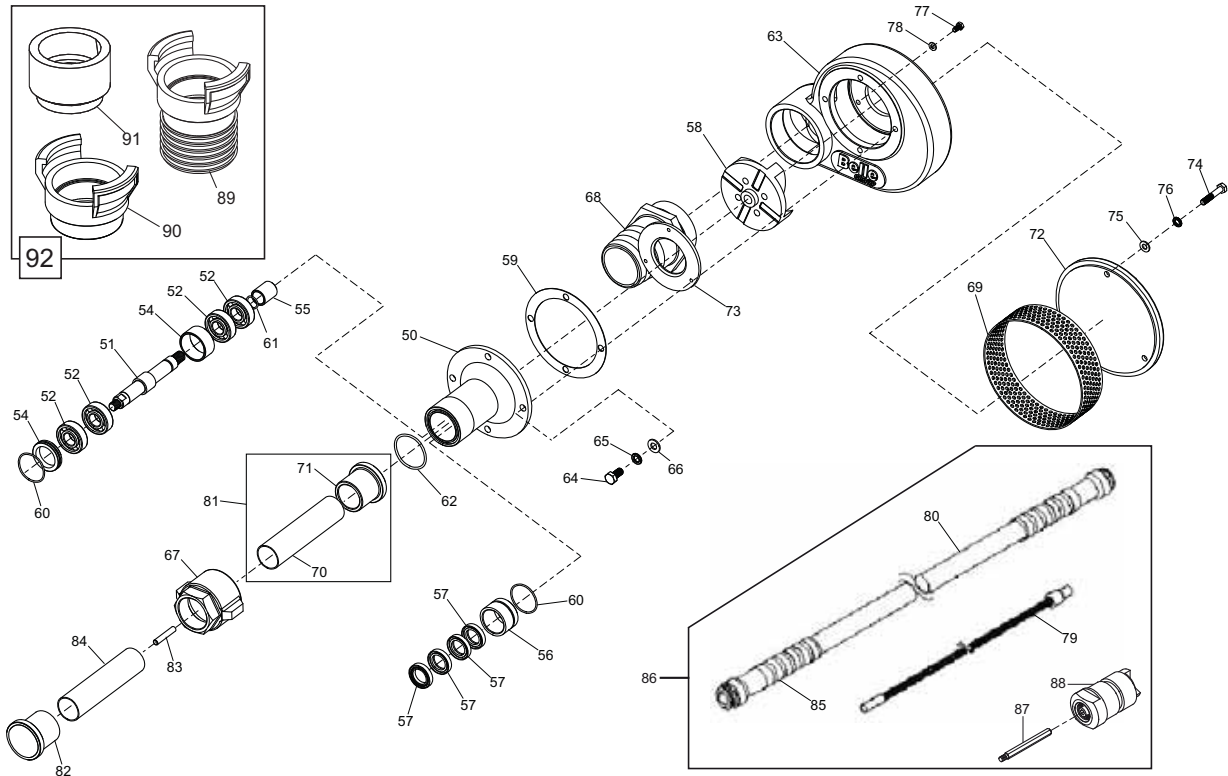
ITEM	PART NUMBER	DESCRIPTION
-	165.3.010	MAINTENANCE KIT FOR BGA 25
-	165.3.011	MAINTENANCE KIT FOR BGA 35
-	165.3.012	MAINTENANCE KIT FOR BGA 45
-	165.3.013	MAINTENANCE KIT FOR BGA 55
-	165.3.014	MAINTENANCE KIT FOR BGA 68

# Submersible Water Pump (5M)



ITEM NUMBER <sup>(1)</sup>	PART NUMBER <sup>(2)</sup>	DESCRIPTION <sup>(3)</sup>
20	165.0.053	DRIVER PIN
21	165.3.000	COUPLING - 2 DOG DRIVE
27	165.0.037	END SHANK
28	165.0.039	FLEXIBLE SHAFT
29	165.0.034	END SHANK
30	165.0.038	HOSE
31	165.0.153	END SHANK
32	165.0.154	HOLDER
33	165.0.155	BEARING
34	165.0.156	BEARING SHAFT
35	165.0.157	OIL SEAL
36	165.0.158	COVER
37	165.0.159	COVER
38	165.0.160	O RING
39	165.0.161	PROPELLER
40	165.0.162	COVER
41	4/6001	M6 FLAT WASHER
42	4/6005	M6 SPRING WASHER
43	165.0.163	M6 SCREW
44	165.0.164	PROTECTIVE COVER
45	165.0.165	M6 HEX BOLT
46	165.0.174	OUTER CASING (HOSE) ASSEMBLY
47	165.0.175	INNER CORE (FLEXIBLE SHAFT) ASSEMBLY
48	165.0.051	STIFFENER (SPIROL PROTECTOR)
49	165.5.001	COMPLETE SHAFT c/w COUPLINGS & STIFFENERS
-	165.5.002	SUBMERSIBLE PUMP COMPLETE
89	165.0.173	3-INCH FIREMANS COUPLING (HOSE SIDE)
90	165.0.172	3 INCH FIREMANS COUPLING (PUMP SIDE)
91	165.0.171	ADAPTOR FOR 5 METRE PUMP
92	OPB/O2/DIO	FIREMAN'S COUPLING

# Submersible Water Pump (7M)



ITEM NUMBER <sup>(1)</sup>	PART NUMBER <sup>(2)</sup>	DESCRIPTION <sup>(3)</sup>	QTY <sup>(4)</sup>
50	165/00101	HOUSING	1
51	165/00102	ROTATING SHAFT	1
52	165/00103	BEARING	4
53	165/00104	SPACER	1
54	165/00105	SLEEVE	1
55	165/00106	BUSH	1
56	165/00107	OILSEALHOUSING	1
57	165/00108	OIL SEAL	4
58	165/00109	IMPELLER	1
59	165/00110	GASKET	1
60	165/00111	O RING 2MM 44	2
61	165/00112	O RING 2MM 17	1
62	165/00113	O RING 3MM 52	1
63	165/00114	MAIN BODY	1
64	7/10004	BOLT M10	4
65	4/1003	RECTANGULAR SECTION SPRING WASHER M10	4
66	4/1004	BRIGHT WASHER M10	4
67	165/00115	HEXAGON COUPLING	1
68	165/00116	OUTLET COUPLING	1
69	165/00117	STRAINER	1
70	165/00118	PUMP END SHANK 36B	1
71	165/00119	PUMP END SHANK 36 A	1
72	165/00120	INLET COVER	1
73	165/00121	PROTECTIVE COVER	1
74	9/8040	BOLT M8	3
75	4/8001	BRIGHT WASHER M8	3
76	4/8003	RECTANGULAR SECTION SPRING WASHER M8	3
77	7/6001	BOLT M6	3
78	4/6001	BRIGHT WASHER M6	3
79	165/00201	7M FLEXIBLE SHAFT (1.50 PITCH THREAD) → BGAP02-00348	1
79	165/00301	7M FLEXIBLE SHAFT (1.75 PITCH THREAD) → BGAP02-00349	1
80	165/00202	7M FLEXIBLE HOSE	1
81	165/00203	PUMP END SHANK 36MM	1
82	165/00204	HC END SHANK 15	1
83	165/00205	SHAFT END SHANK 15	1
84	165/00206	END SHANK - 036	1
85	165/00207	SPIRAL PROTECTOR 36	1
86	165/00200	7M FLEXIBLE HOSE ASSY (1.50 PITCH THREAD) → BGAP02-00348	1
86	165/00300	7M FLEXIBLE HOSE ASSY (1.75 PITCH THREAD) → BGAP02-00349	1
87	165.0.053	DRIVER PIN	1
88	165.3.000	COUPLING - 2 DOG DRIVE	1
89	165.0.173	3 INCH FIREMANS COUPLING (HOSE SIDE)	1
90	165.0.172	3 INCH FIREMANS COUPLING (PUMP SIDE)	1
91	165.0.171	ADAPTOR FOR 5 METRE PUMP	1
92	OPB/O2/DIO	FIREMAN'S COUPLING	1